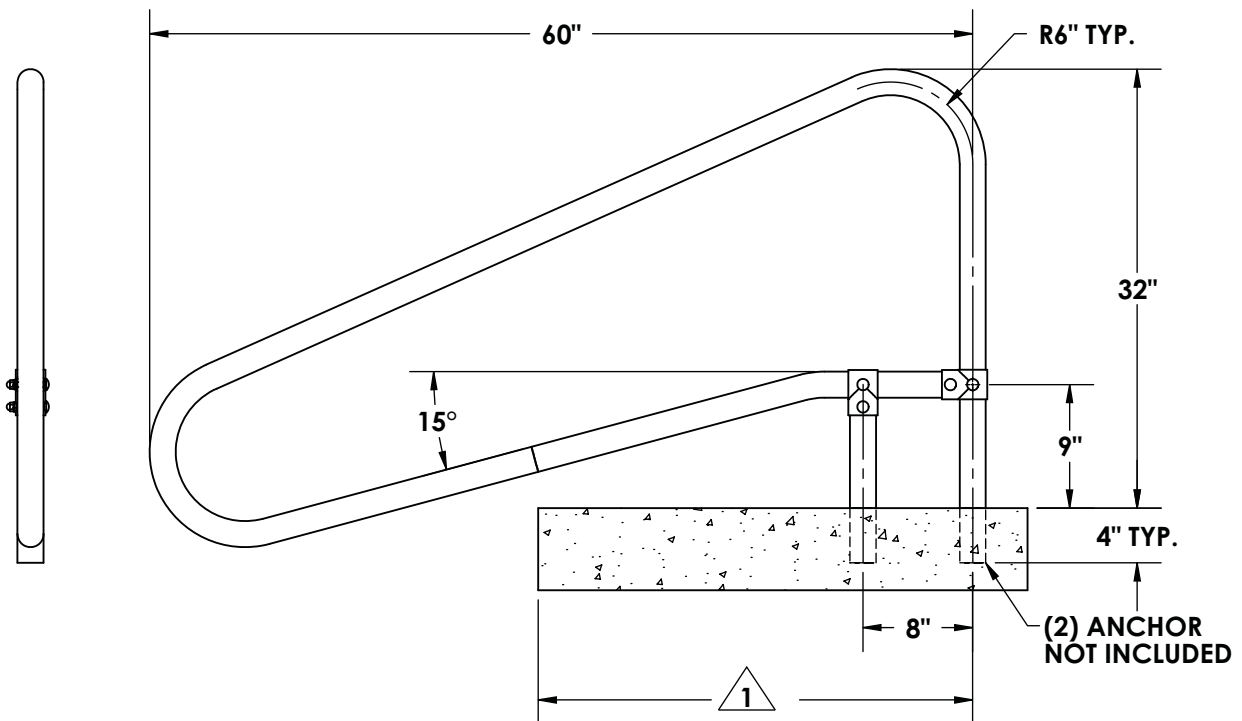


**HANDRAILS  
MODEL - VARDEN 60"**



**NOTE:**

**1** DIMENSIONS VARY WITH SPECIFIC APPLICATIONS.  
SPECIFICATIONS ARE NOMINAL AND ARE SUBJECT TO CHANGE.  
PLEASE CONTACT SPECTUM PRODUCTS FOR CUSTOM APPLICATIONS.



7100 Spectrum Lane  
Missoula, Montana 59808  
406.542.9781 \* 800.791.8056  
Fax: 406.542.1158  
www.spectrumproducts.com

**ENGINEERING DATA**

PRODUCT:	VARDEN 60"
PRODUCT #:	36251
REVISION:	A
MATERIAL:	300 SERIES STAINLESS STEEL

## **Grab Rails, Varden 60", part number 36251**

### **Rails**

The grab rail shall be of the sloping deck-mounted design. The grab rail shall be fabricated of 1.90" O.D. or 1.5" O.D. x .065", .109", .145", .083", or .120" wall thickness 300 series stainless steel. It shall be T.I.G. welded and free of any wrinkles or burrs. The grab rail shall be designed for a setback of 8" from pool edge.

### **Anchors and Escutcheons**

The grab rails shall be supported by four (4) 4" bronze wedge anchors and four (4) stainless steel keyhole escutcheons.

### **Warranty**

Two year limited warranty.



7100 Spectrum Lane ~ Missoula, Montana 59808  
800.791.8056 ~ 406.542.9781  
Fax: 406-542-1158  
[www.spectrumproducts.com](http://www.spectrumproducts.com)