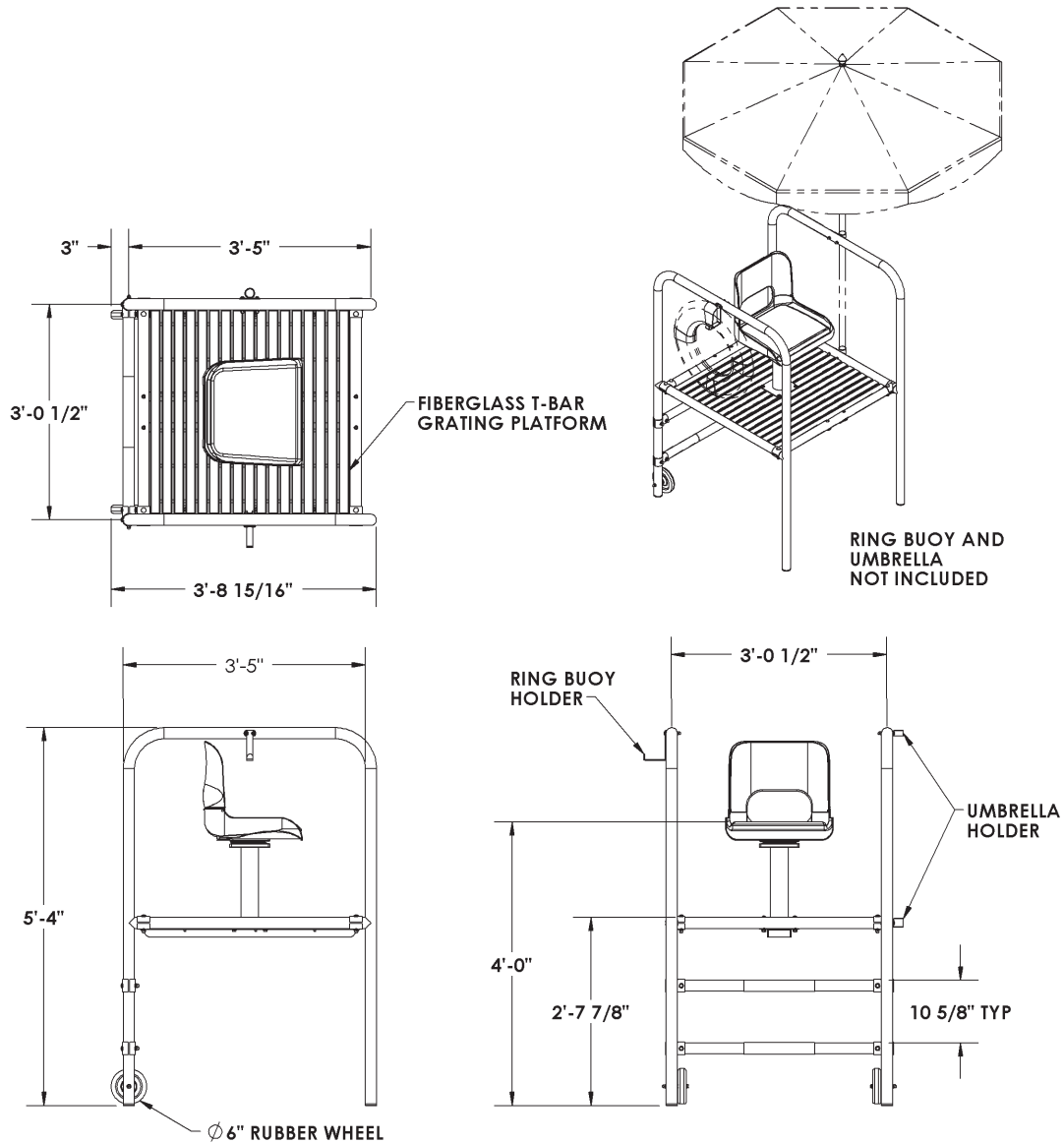


GUARDIAN SERIES MODEL - 48" TORREY II



- APPROVED
- REVISE AND RESUBMIT
- APPROVED AS CORRECTED
- REJECTED
- SUBMIT SPECIFIED ITEM

Approval is only for conformance with the design concept of the Project and compliance with the information given in the Contract Documents. Contractor is responsible for dimensions to be confirmed and correlated at the job site for information that pertains solely to the fabrication process or to techniques of construction, and for coordination of the work of all trades.

Signature _____ Date _____

**Note: Drawings not to scale. Specifications are nominal and are subject to change.*

ENGINEERING DATA

Product:	48" Torrey II
Product #:	20215
Date:	10/2006
Data Sheet #:	SA 20211.1006

SPECTRUM
Products®

7100 Spectrum Lane
Missoula, Montana 59808
406.542.9781 • 800.791.8056
Fax: 406.542.1158
www.spectrumproducts.com

Lifeguard Platform, Torrey II, part numbers 20211, 20214, 20215

The Guardian™ Series Torrey II Lifeguard Platform is fabricated of stainless steel and employs rear wheels for portability. The platform seat bottom is situated 36", 42", or 48" above the surface of the pool deck depending on the model.

Lifeguard Platform Frame

The lifeguard platform frame is fabricated of 1.90" O.D. x 0.065" wall thickness 300 series stainless steel. All handrails and their gripping surfaces comply with ADA Accessibility Guidelines for Buildings and Facilities parts I and II; sections 4.26 and 15.8 respectively. Non-marking high-density polyethylene plugs are inserted into the bottom of all legs to protect pool decks and surfaces.

Platform

The lifeguard platform is constructed of 1", UV stabilized, non-slip structural fiberglass T-bar.

Seat Assembly

The seat shall be 18" high, 18" wide and 17 ¾" deep and shall be a double contour design for prolonged seating comfort. Closed cell, UV protected, foam padding shall be provided. The seat shall fold down when not in use to keep seat surface cool and retard use by unauthorized individuals. Fold down shall be a "No-Pinch" hinge with stainless-steel hinge pins. The seat shall swivel and be readily removable from a permanently installed base and shall be provided with a means for securing the seat. The seat assembly shall be white in color.

Seat Post

The seat post is a 4.50" O.D. x 0.120" wall thickness 300 series stainless steel pedestal.

Umbrella and Ring Buoy Holders

One umbrella holder and one ring buoy holder are provided, each fabricated of 300 series stainless steel.

Wheels

Two 6" diameter wheels are attached to the rear legs of the lifeguard platform, using stainless steel hardware, allowing for ease of transport when the platform is tilted rearward.

Warranty

Two year limited warranty.



7100 Spectrum Lane ~ Missoula, Montana 59808
800.791.8056 ~ 406.542.9781
Fax: 406-542-1158
www.spectrumproducts.com