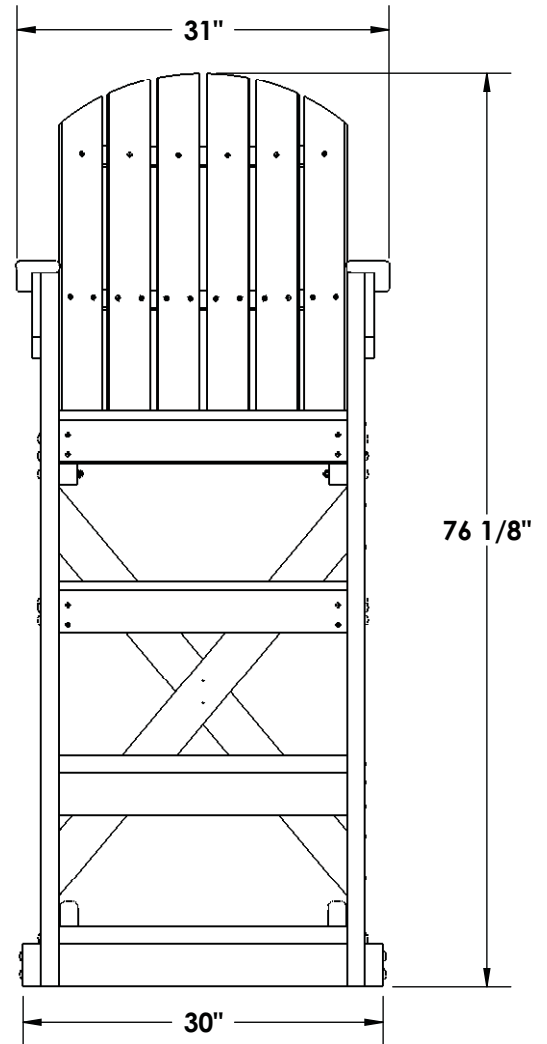
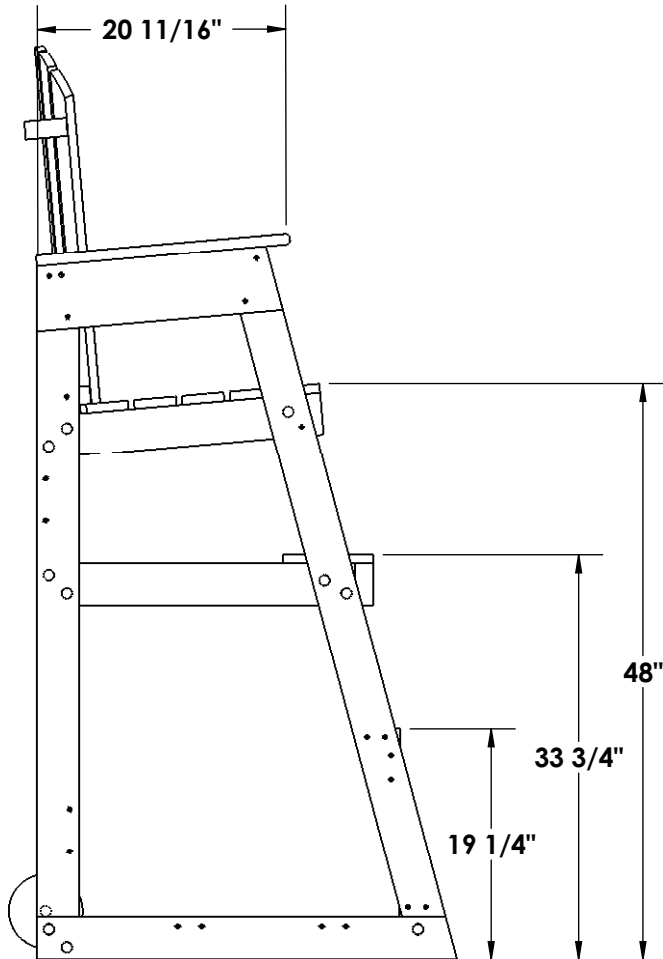
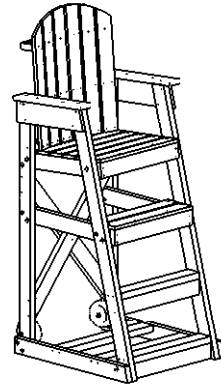
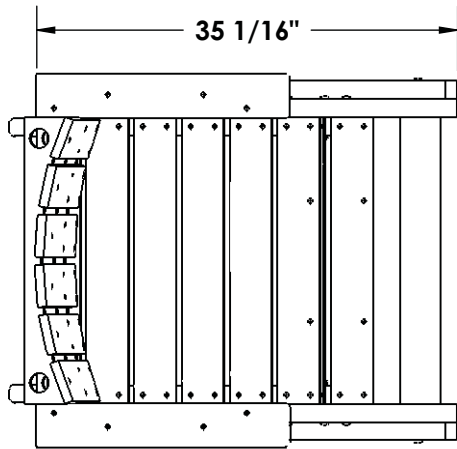


**GUARDIAN  
MODEL - 48" MENDOTA**



\*Note: Specifications are nominal and are subject to change.  
Please contact Spectrum Products for custom applications.

**SPECTRUM**  
Products

7100 Spectrum Lane  
Missoula, Montana 59808  
406.542.9781 \* 800.791.8056  
Fax: 406.542.1158  
www.spectrumproducts.com

**ENGINEERING DATA**

PRODUCT:	48" MENDOTA
PRODUCT #:	45023
REVISION:	A
MATERIAL:	HDPE

## **Lifeguard chair, 4-Foot Mendota, part number 45023**

### **Specifications:**

The Mendota lifeguard chair shall be portable. The chair shall be constructed of UV inhibited recycled high-density polyethylene material. The chair seat shall be elevated 4' above the surface of the swimming pool deck.

### **Lifeguard Chair Frame**

The lifeguard chair frame is to be fabricated of high-density polyethylene material. All joints shall be secured using 300 series stainless steel through bolts and 300 series stainless steel wood screws. The lifeguard chair includes one step and one platform for access. One stainless steel ring buoy hanger and umbrella holders are included. Two standard colors available, white and sand. Custom colors available upon request.

### **Warranty**

Two year limited warranty.



7100 Spectrum Lane ~ Missoula, Montana 59808  
800.791.8056 ~ 406.542.9781  
Fax: 406-542-1158  
[www.spectrumproducts.com](http://www.spectrumproducts.com)