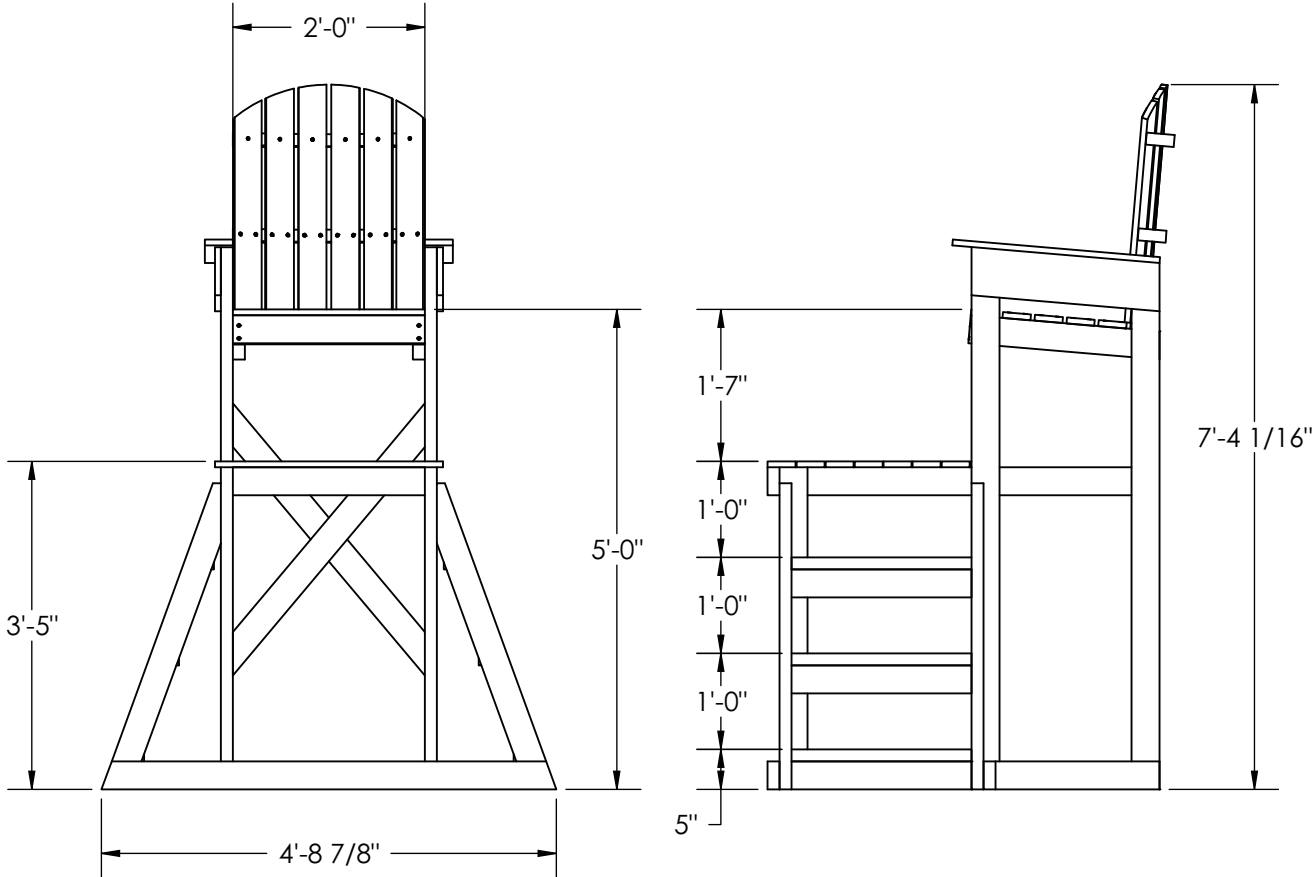
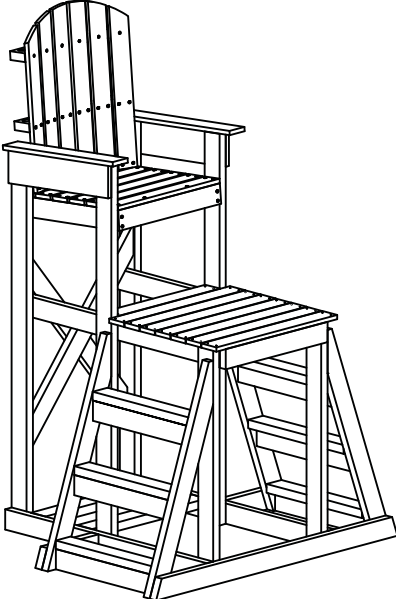


**GUARDIAN SERIES
MODEL - MENDOTA 5' - DUAL STEP**



NOTE:
 1 DIMENSIONS VARY WITH SPECIFIC APPLICATIONS.
 SPECIFICATIONS ARE NOMINAL AND ARE SUBJECT TO CHANGE.
 PLEASE CONTACT SPECTRUM PRODUCTS FOR CUSTOM APPLICATIONS.

SPECTRUM
 Products
 7100 Spectrum Lane
 Missoula, Montana 59808
 406.542.9781 * 800.791.8056
 Fax: 406.542.1158
 www.spectrumproducts.com

ENGINEERING DATA

PRODUCT:	MENDOTA 5' - DUAL STEP
PRODUCT #:	54481
REVISION:	A
MATERIAL:	RECYCLED HDPE