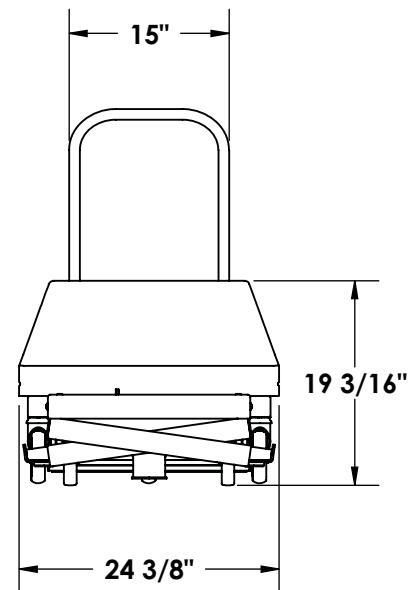
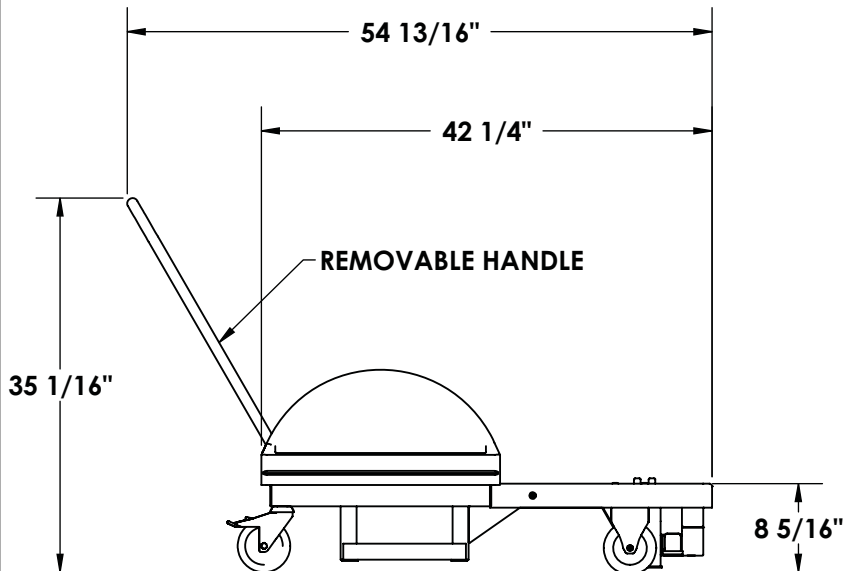
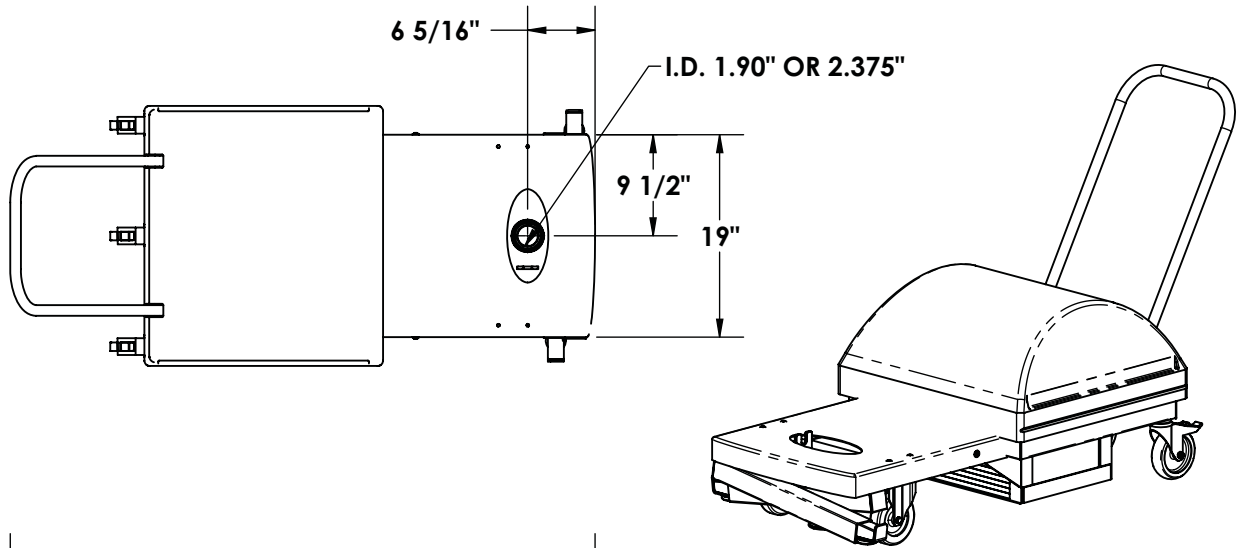


## MODEL - MATE



**NOTE:**

1 DIMENSIONS VARY WITH SPECIFIC APPLICATIONS.  
 SPECIFICATIONS ARE NOMINAL AND ARE SUBJECT TO CHANGE.  
 PLEASE CONTACT SPECTUM PRODUCTS FOR CUSTOM APPLICATIONS.

**SPECTRUM**  
 Products

7100 Spectrum Lane  
 Missoula, Montana 59808  
 406.542.9781 \* 800.791.8056  
 Fax: 406.542.1158  
 www.spectrumproducts.com

### ENGINEERING DATA

PRODUCT:	MATE
PRODUCT #:	42173
REVISION:	A
MATERIAL:	304 SERIES STAINLESS STEEL

## **MATE™ (Mobile Anchor Transport Evolution), part number 42173**

The MATE™ shall consist of the following components:

### **MATE™ Superstructure**

Constructed from 304 stainless steel, 2" x 2" x .120" square tubing, 3/8" 304 stainless steel plate, 12 gauge 304 stainless steel plate and 3/16" x 1 1/2" stainless steel angle. Precision joined and welded.

### **Wheel Assembly**

There shall be three stainless steel ball bearing Tente locking casters and two Tente stainless steel fixed casters.

### **Stabilizer**

There shall be two 1 1/2" x 1 1/2" x .120" 304 stainless steel stabilizer arms with a rubber padded foot.

### **Weights**

1/2" mild steel plates hot dip galvanized to the specification ASTM A 385.

### **Handle**

Constructed of 1" x .120" 304 stainless steel tubing with TIG welded 304 stainless steel stops.

### **Cover**

MATE™ cover constructed of LDPE with permanently molded in graphics. Front cover and side panels are fabricated from Kydex thermoforming polymer.

### **Warranty**

Two year limited warranty.



7100 Spectrum Lane ~ Missoula, Montana 59808  
800.791.8056 ~ 406.542.9781  
Fax: 406-542-1158  
[www.spectrumproducts.com](http://www.spectrumproducts.com)