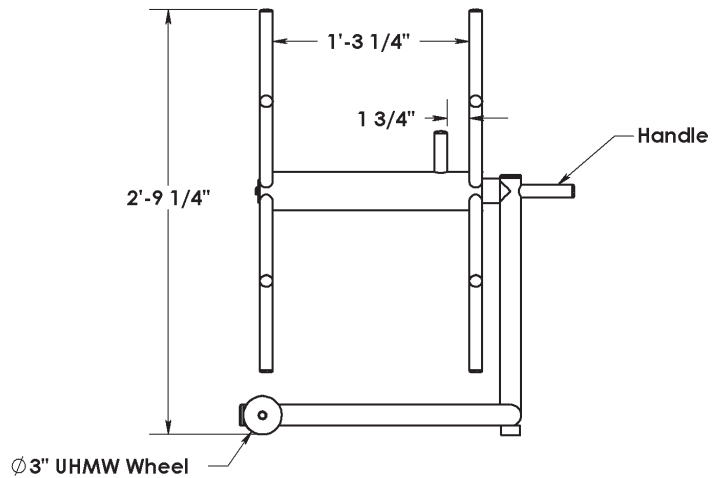
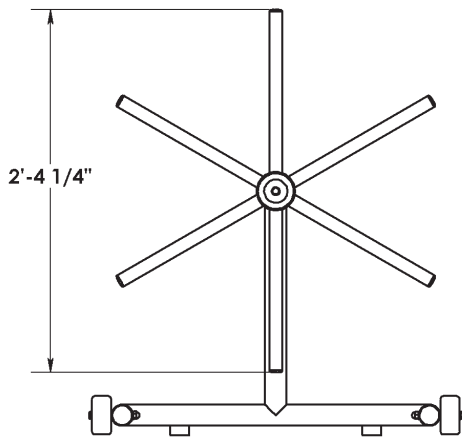
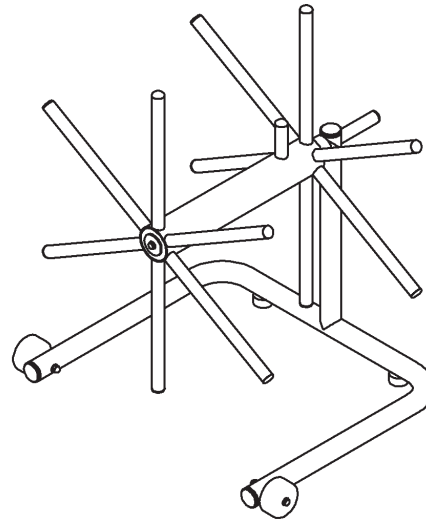
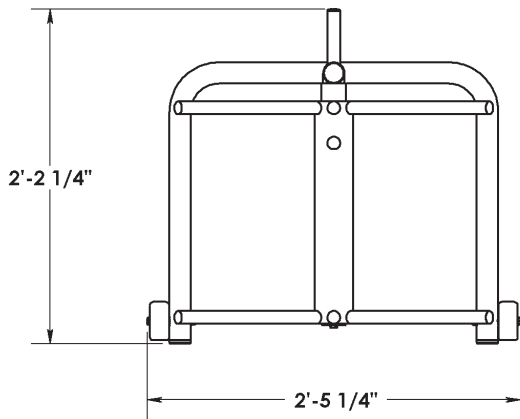


**SPECTRA CLEAN SERIES  
MODEL - HOSE CADDY**



*\*Note: Drawings not to scale. Specifications are nominal and are subject to change.*

**SPECTRUM**  
Products®

7100 Spectrum Lane  
Missoula, Montana 59808  
406.542.9781 • 800.791.8056  
Fax: 406.542.1158  
www.spectrumproducts.com

**ENGINEERING DATA**

Product: Hose Caddy

Product #: 12500

Date: 12/2002

Data Sheet #: SA 12500.1202

## **Hose Caddy, part number 12500-00**

The hose reel shall be designed for use with either 1 ½" diameter hose or 2" diameter hose. The unit shall have the capacity for storing 175' of 1 ½" hose or 75' of 2" hose.

### **Material**

The hose reel shall be fabricated from 1.66" O. D. x 0.109" wall thickness, 300 series stainless steel. Reel spokes shall be fabricated from 1.0" O. D. x 0.083" 300 series stainless steel.

### **Wheels**

The unit shall be provided with two (2), "No-Mar" type, 3" polyolefin wheels with stainless steel mounting hardware, allowing for ease of transport.

### **Warranty**

Two year limited warranty.



7100 Spectrum Lane ~ Missoula, Montana 59808  
800.791.8056 ~ 406.542.9781  
Fax: 406-542-1158  
[www.spectrumproducts.com](http://www.spectrumproducts.com)