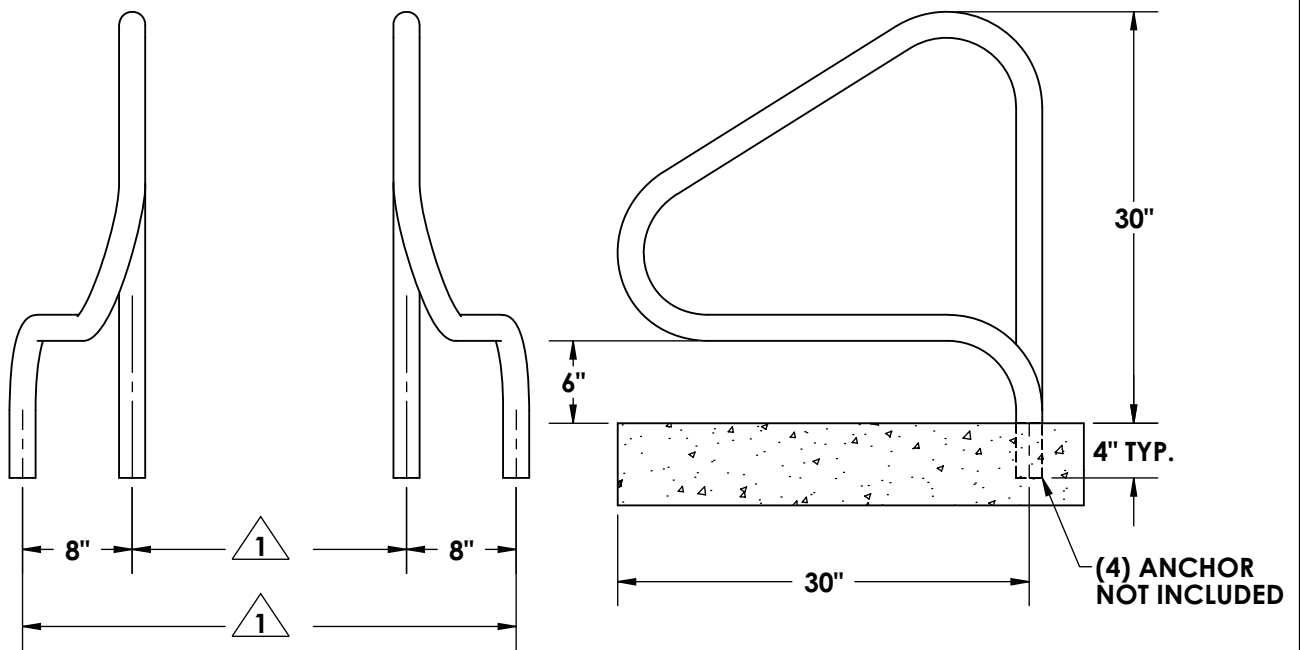
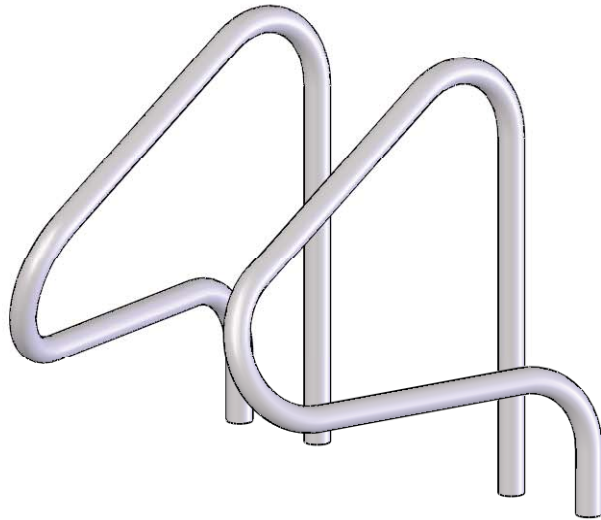


**GRAB RAILS
MODEL - CISCO 30"**



NOTE:

1 DIMENSIONS VARY WITH SPECIFIC APPLICATIONS.
SPECIFICATIONS ARE NOMINAL AND ARE SUBJECT TO CHANGE.
PLEASE CONTACT SPECTUM PRODUCTS FOR CUSTOM APPLICATIONS.



7100 Spectrum Lane
Missoula, Montana 59808
406.542.9781 * 800.791.8056
Fax: 406.542.1158
www.spectrumproducts.com

ENGINEERING DATA

PRODUCT:	CISCO 30"
PRODUCT #:	35124
REVISION:	A
MATERIAL:	300 SERIES STAINLESS STEEL

Grab Rails, Cisco 30", part number 35124

Rails

The grab rails shall be fabricated of 1.90" O.D. or 1.5" O.D. x .065", .109", .145", .083" or .120" wall thickness 300 series stainless steel. The grab rails shall be designed for a setback of 17" or 26" from pool edge. Sold as pairs.

Anchors and Escutcheons

The grab rails shall be supported by four (4) 4" bronze wedge anchors and four (4) stainless steel keyhole escutcheons.

Warranty

Two year limited warranty.



7100 Spectrum Lane ~ Missoula, Montana 59808
800.791.8056 ~ 406.542.9781
Fax: 406-542-1158
www.spectrumproducts.com