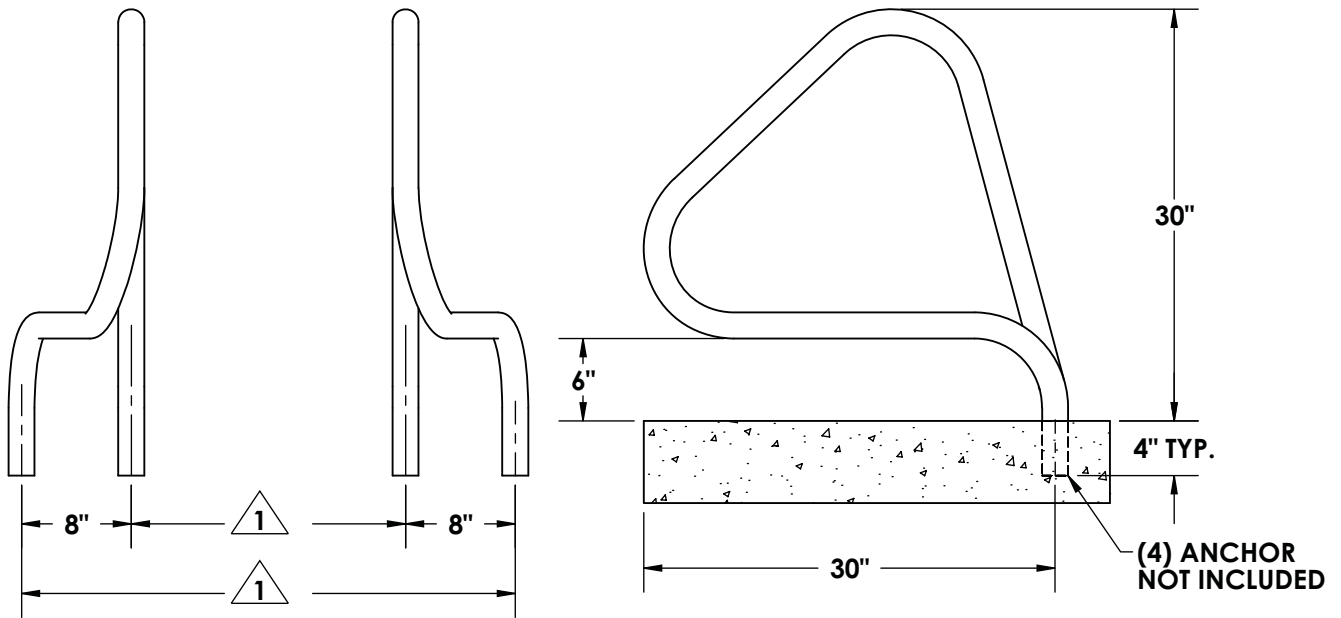
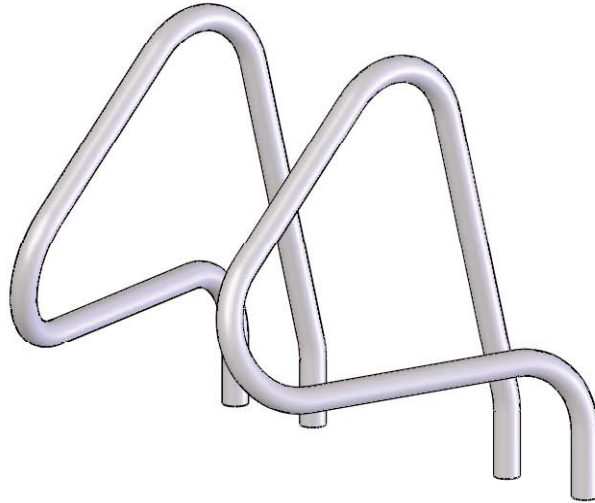


**GRAB RAILS
MODEL - BURBOT 30"**



NOTE:

1 DIMENSIONS VARY WITH SPECIFIC APPLICATIONS.
SPECIFICATIONS ARE NOMINAL AND ARE SUBJECT TO CHANGE.
PLEASE CONTACT SPECTUM PRODUCTS FOR CUSTOM APPLICATIONS.



7100 Spectrum Lane
Missoula, Montana 59808
406.542.9781 * 800.791.8056
Fax: 406.542.1158
www.spectrumproducts.com

ENGINEERING DATA

PRODUCT:	BURBOT 30"
PRODUCT #:	35110
REVISION:	A
MATERIAL:	300 SERIES STAINLESS STEEL

Grab Rails, Burbot 30", part number 35110

Rails

The grab rails shall be fabricated of 1.90" O.D. or 1.5" O.D. x .065", .109", .145", .083" or .120" wall thickness 300 series stainless steel. The grab rails shall be designed for a setback of 30" from pool edge. Sold as pairs.

Anchors and Escutcheons

The grab rails shall be supported by four (4) 4" bronze wedge anchors and four (4) stainless steel keyhole escutcheons.

Warranty

Two year limited warranty.



7100 Spectrum Lane ~ Missoula, Montana 59808
800.791.8056 ~ 406.542.9781
Fax: 406-542-1158
www.spectrumproducts.com