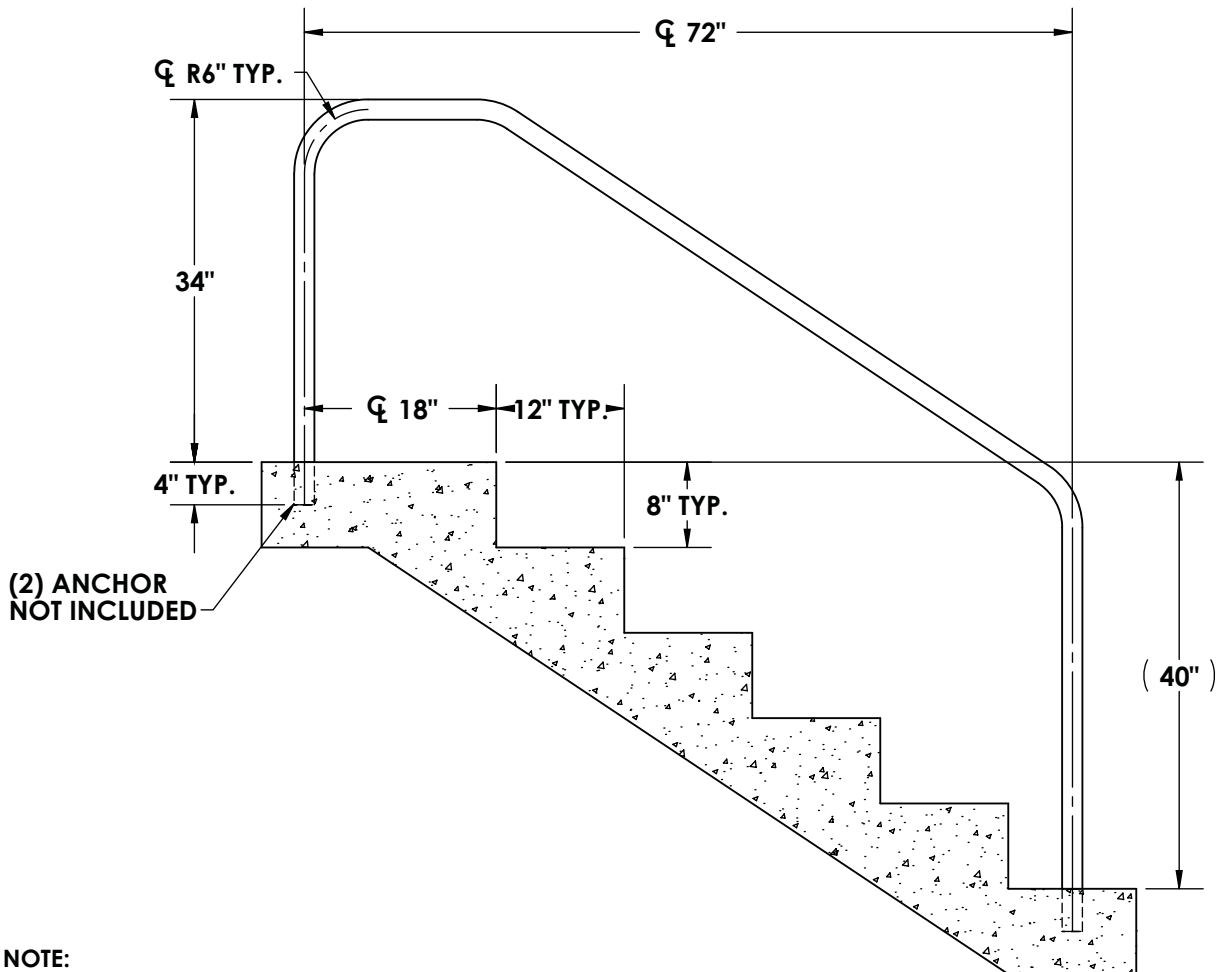
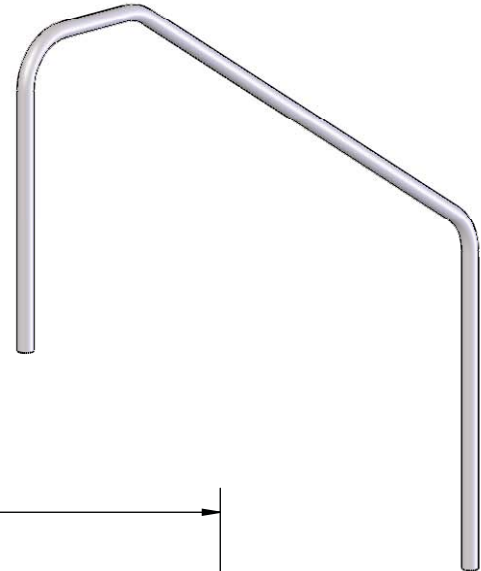


**HANDRAIL SERIES  
MODEL - 3 BEND STAIR RAIL 72"**



**NOTE:**

1 DIMENSIONS VARY WITH SPECIFIC APPLICATIONS.

**SPECTRUM**  
Products

7100 Spectrum Lane  
Missoula, Montana 59808  
406.542.9781 \* 800.791.8056  
Fax: 406.542.1158  
www.spectrumproducts.com

**ENGINEERING DATA**

PRODUCT:	3 BEND STAIR RAIL 72"
PRODUCT #:	35013
REVISION:	A
MATERIAL:	300 SERIES STAINLESS STEEL

## **Stair Rail, 3 Bend 72" Rail, product number 35013**

### **Rails**

The stair rail shall be fabricated of 1.90" O.D. or 1.5" O.D. x .065", .109", .145", .083" or .120" wall thickness 300 series stainless steel. It shall have three bends that are to be wrinkle free. The stair rail shall be designed for a setback of between 12-18" from pool edge.

### **Anchors**

The stair rail shall be supported by two (2) 4 1/2" bronze wedge anchors.

### **Warranty**

Two year limited warranty.



7100 Spectrum Lane ~ Missoula, Montana 59808  
800.791.8056 ~ 406.542.9781  
Fax: 406-542-1158  
[www.spectrumproducts.com](http://www.spectrumproducts.com)