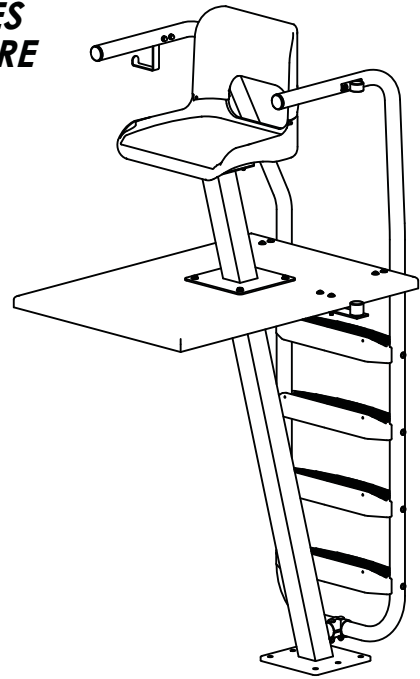
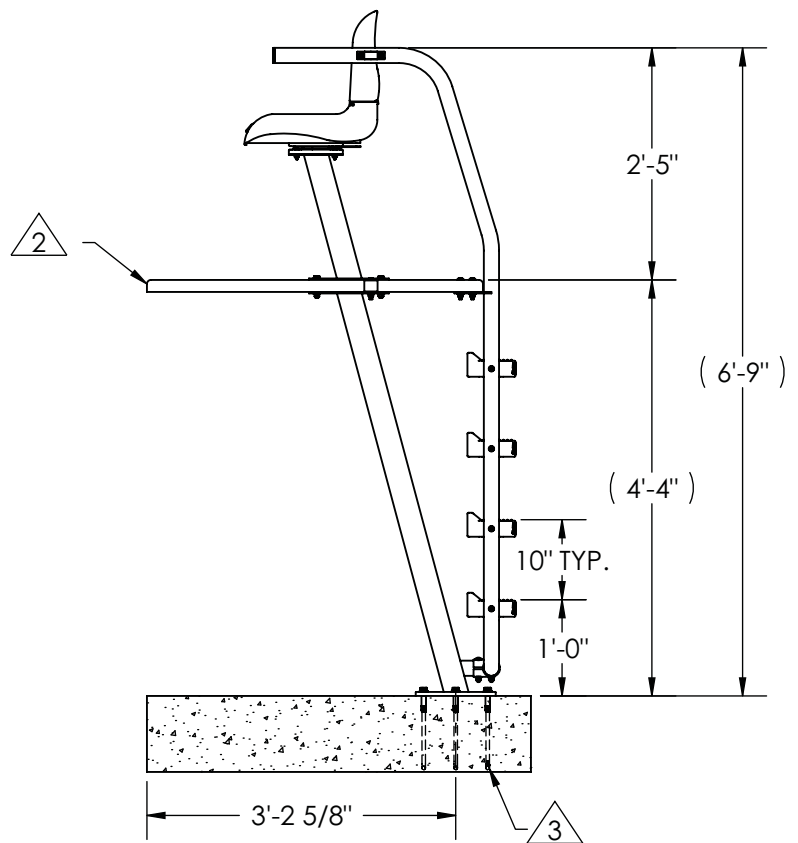
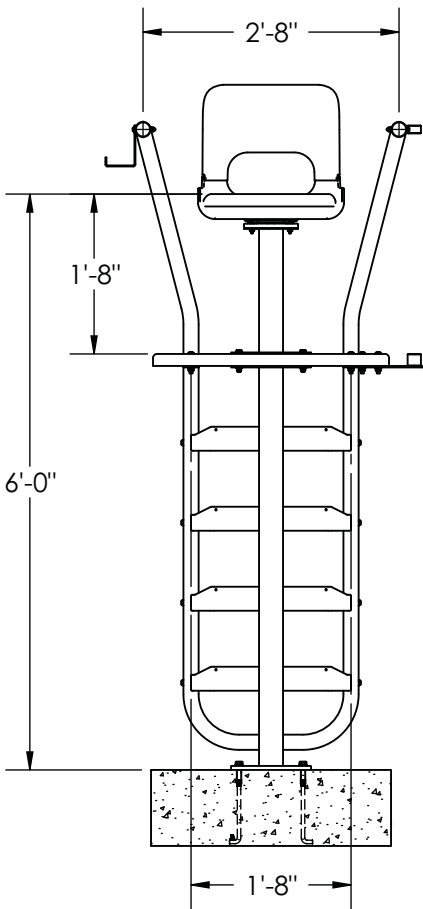


# GUARDIAN SERIES MODEL - SAPPHIRE



NOTES:

- ① DIMENSIONS VARY WITH SPECIFIC APPLICATIONS.
- ② MATERIAL: FOOTBOARD 29 1/2"x42" COMPOSITE
- ③ SAPPHIRE ANCHOR NOT INCLUDED  
SPECTRUM PRODUCTS CATALOG #20021-00



\*Note: Specifications are nominal and are subject to change.  
Please contact Spectrum Products for custom applications.



7100 Spectrum Lane  
Missoula, Montana 59808  
406.542.9781 \* 800.791.8056  
Fax: 406.542.1158  
www.spectrumproducts.com

## ENGINEERING DATA

|            |  |
|------------|--|
| PRODUCT:   | SAPPHIRE                               |
| PRODUCT #: | 20085-00                               |
| REVISION:  | A                                      |
| MATERIAL:  | 1.90"x.065" 304 S.S. TUBE (UNS S30400) |